

## Specifications by item

### Femoral Component - PS Type

Size	Catalogue No.		AP (mm)	ML (mm)
	Left	Right		
1	7111-5155L	7111-5155R	51	55
2	7111-5357L	7111-5357R	53	57
3	7111-5660L	7111-5660R	56	60
4	7111-5963L	7111-5963R	59	63
5	7111-6166L	7111-6166R	61	66
6N	7111-6468L	7111-6468R	64	68
6	7111-6571L	7111-6571R	65	71
7	7111-6973L	7111-6973R	69	73
8	7111-7478L	7111-7478R	74	78

### Femoral Component - CR Type

Size	Catalogue No.		AP (mm)	ML (mm)
	Left	Right		
1	7112-5155L	7112-5155R	51	55
2	7112-5357L	7112-5357R	53	57
3	7112-5660L	7112-5660R	56	60
4	7112-5963L	7112-5963R	59	63
5	7112-6166L	7112-6166R	61	66
6N	7112-6468L	7112-6468R	64	68
6	7112-6571L	7112-6571R	65	71
7	7112-6973L	7112-6973R	69	73
8	7112-7478L	7112-7478R	74	78

### Tibial Tray

Size	Catalogue No.	AP (mm)	ML (mm)
1	7121-3857	38	57
2	7121-3959	39	59
3	7121-4161	41	61
4	7121-4364	43	64
5	7121-4567	45	67
6	7121-4769	47	69
7	7121-4972	49.5	72
8	7121-5176	51	76

### Tibial Insert - PS Type

Size	Catalogue No.	Thickness (mm)	Size	Catalogue No.	Thickness (mm)	Size	Catalogue No.	Thickness (mm)	Size	Catalogue No.	Thickness (mm)
1	7131-0109	9	3	7131-0309	9	5	7131-0609	9	7	7131-0909	9
	7131-0110	10		7131-0310	10		7131-0610	10		7131-0910	10
	7131-0111	11		7131-0311	11		7131-0611	11		7131-0911	11
	7131-0112	12		7131-0312	12		7131-0612	12		7131-0912	12
	7131-0113	13		7131-0313	13		7131-0613	13		7131-0913	13
	7131-0114	14		7131-0314	14		7131-0614	14		7131-0914	14
	7131-0116	16		7131-0316	16		7131-0616	16		7131-0916	16
	7131-0118	18		7131-0318	18		7131-0618	18		7131-0918	18
2	7131-0209	9	4	7131-0409	9	6	7131-0709	9	8	7131-1009	9
	7131-0210	10		7131-0410	10		7131-0710	10		7131-1010	10
	7131-0211	11		7131-0411	11		7131-0711	11		7131-1011	11
	7131-0212	12		7131-0412	12		7131-0712	12		7131-1012	12
	7131-0213	13		7131-0413	13		7131-0713	13		7131-1013	13
	7131-0214	14		7131-0414	14		7131-0714	14		7131-1014	14
	7131-0216	16		7131-0416	16		7131-0716	16		7131-1016	16
	7131-0218	18		7131-0418	18		7131-0718	18		7131-1018	18

### Tibial Insert - CR Type

Size	Catalogue No.	Thickness (mm)	Size	Catalogue No.	Thickness (mm)	Size	Catalogue No.	Thickness (mm)	Size	Catalogue No.	Thickness (mm)
1	7132-0109	9	3	7132-0309	9	5	7132-0609	9	7	7132-0909	9
	7132-0110	10		7132-0310	10		7132-0610	10		7132-0910	10
	7132-0111	11		7132-0311	11		7132-0611	11		7132-0911	11
	7132-0112	12		7132-0312	12		7132-0612	12		7132-0912	12
	7132-0113	13		7132-0313	13		7132-0613	13		7132-0913	13
	7132-0114	14		7132-0314	14		7132-0614	14		7132-0914	14
	7132-0116	16		7132-0316	16		7132-0616	16		7132-0916	16
	7132-0118	18		7132-0318	18		7132-0618	18		7132-0918	18
2	7132-0209	9	4	7132-0409	9	6	7132-0709	9	8	7132-1009	9
	7132-0210	10		7132-0410	10		7132-0710	10		7132-1010	10
	7132-0211	11		7132-0411	11		7132-0711	11		7132-1011	11
	7132-0212	12		7132-0412	12		7132-0712	12		7132-1012	12
	7132-0213	13		7132-0413	13		7132-0713	13		7132-1013	13
	7132-0214	14		7132-0414	14		7132-0714	14		7132-1014	14
	7132-0216	16		7132-0416	16		7132-0716	16		7132-1016	16
	7132-0218	18		7132-0418	18		7132-0718	18		7132-1018	18

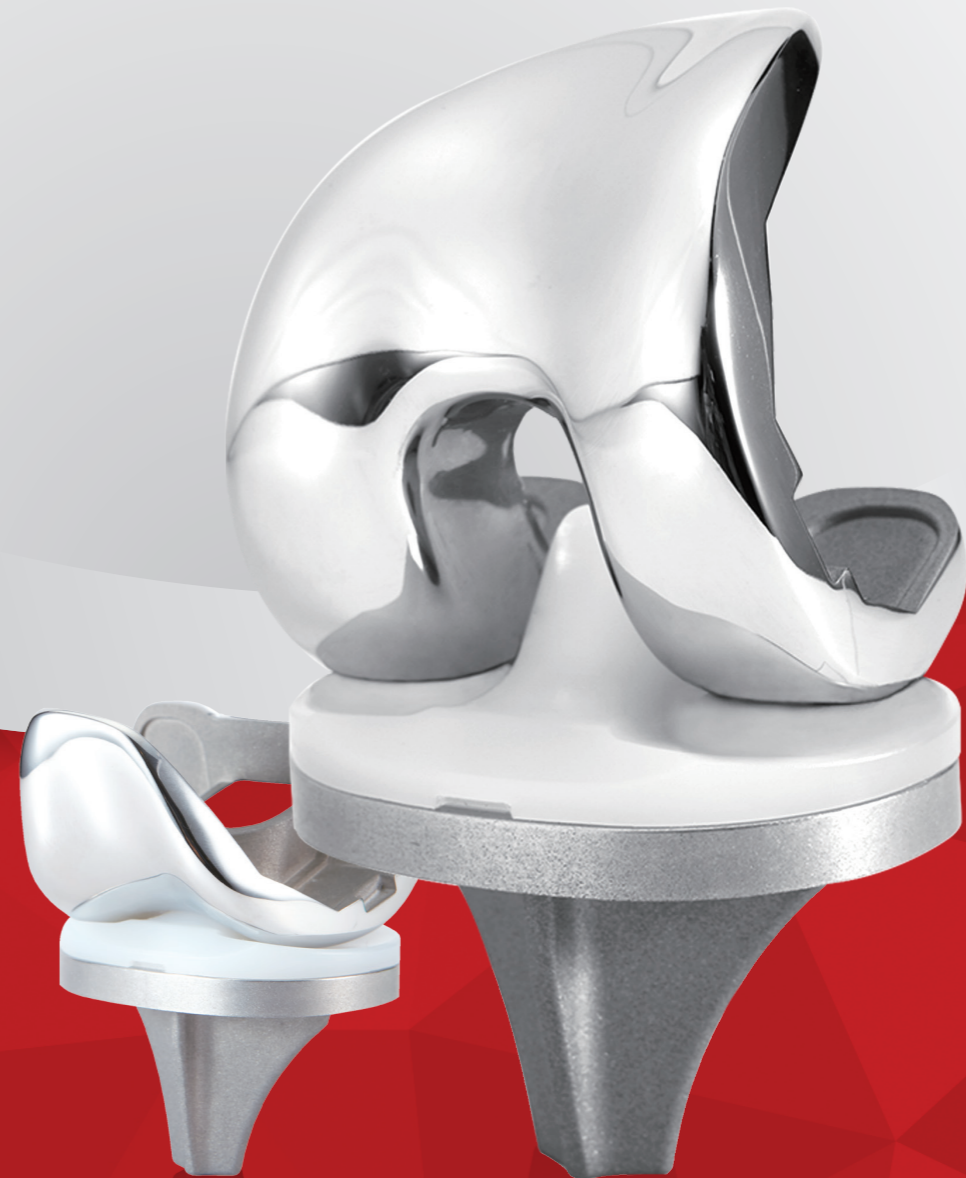
### Patella Component

Size	Catalogue No.	Diameter(mm)	Thickness(mm)
S	7141-2908	29	8
M	7141-3208	32	8
L	7141-3509	35	9
XL	7141-3809	38	9

DISTRIBUTOR

# CentLoc

## Total Knee System



## ABOUT US

01

### Best Products

We provide products that are optimized for the individual patient's joint structure

02

### Customer First

We are the first to think of our customers' needs

03

### Innovation & Improvement

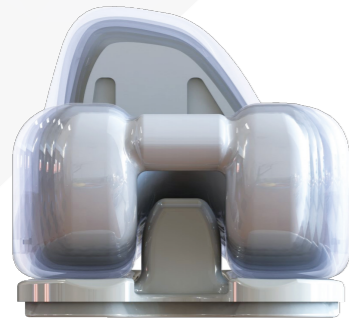
Experienced orthopedic specialists participate in the development of the products for the convenience of operation and the safety of the patients

04

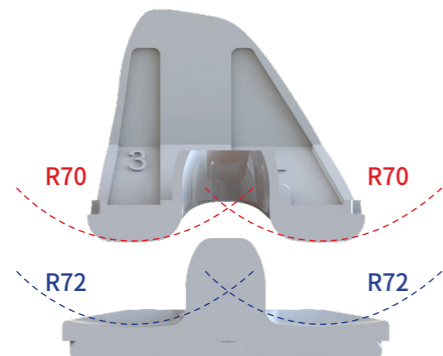
### Confidence To Technology

We are constantly engaged in R&D for new product development

## All Size Femoral & Tibial Interchangeability

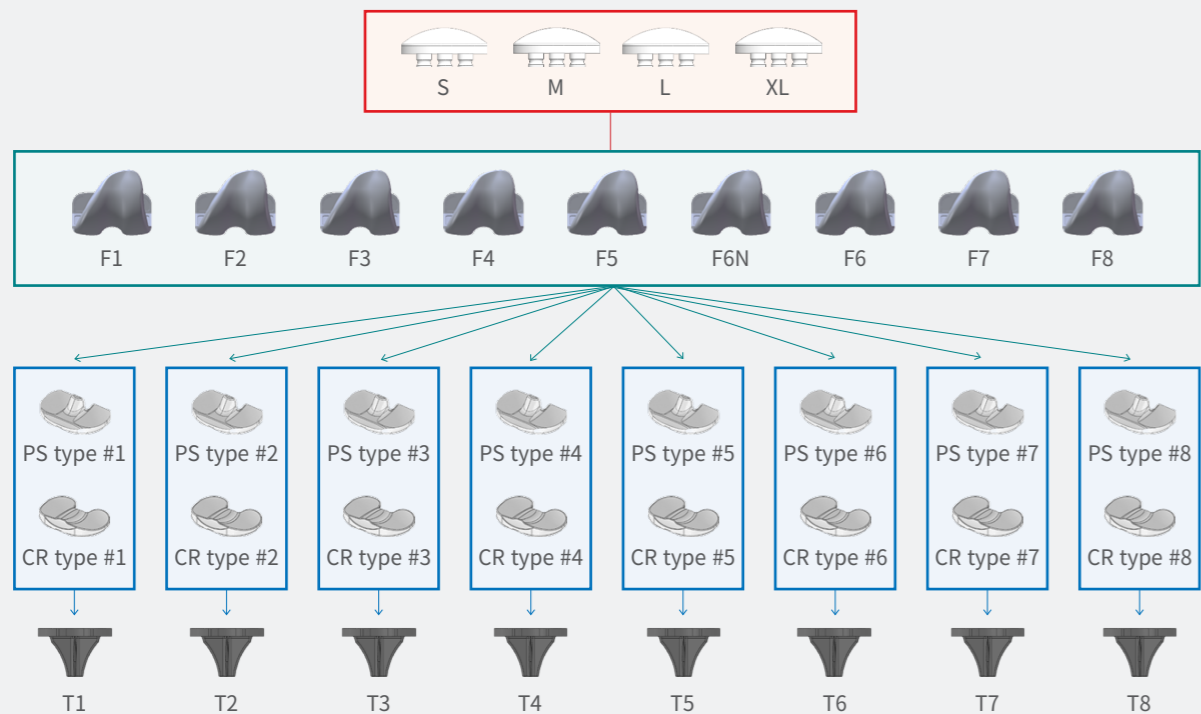


- Maintain conformity in all combinations
- Reduce the contact stress

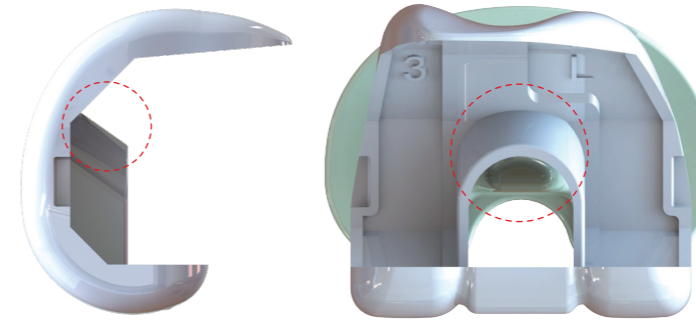


- Constant conformity : 0.97
- Constant radius(70 / 72 mm) in the coronal plane
- Minimize polyethylene wear

## Interchangeability Chart

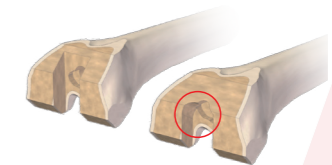


## Specialized Box Design

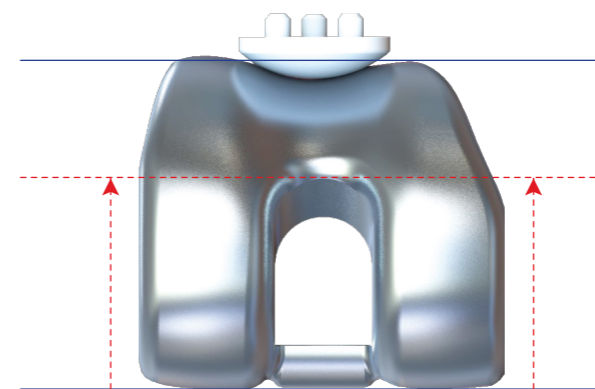


### Round Anterior Box Shape

- Rigid fixation is possible without pegs
- Increase the contact surface with bone

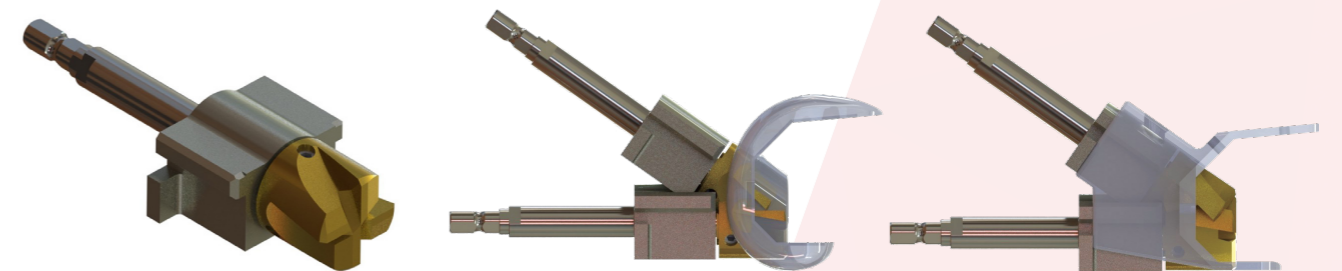


- Minimize bone loss



### Optimal Box ratio

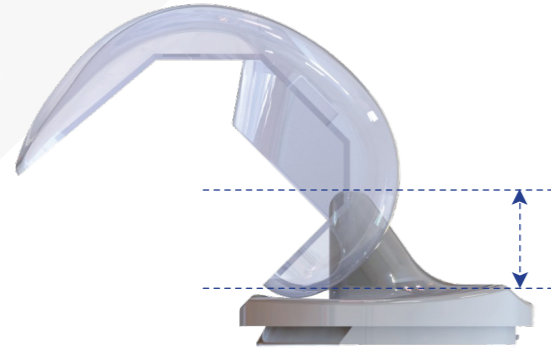
- Reduce patellar clunk / crepitus



### Specialized Box Instrument

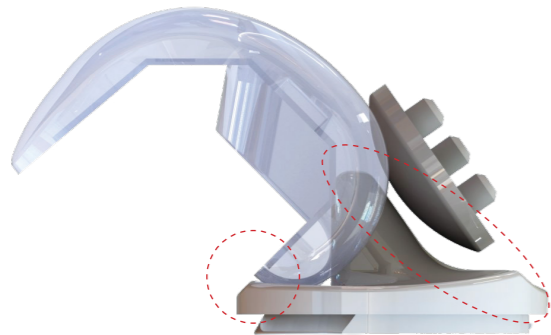
- Create accurate space with special reamers
- Designed for easy and safe operation

## High Flexed Design



### Triangle Post/Cam Mechanism

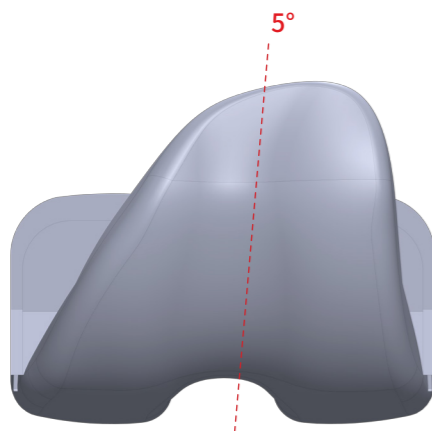
- Low post/cam contact position.
- High jumping distance
- Facilitate rollback at high flexion



### Optimum Performance to Maximize Flexion

- Modified posterior articulation
- Chamfered anterior post

## Optimized Patellofemoral Design



- Deepened trochlear groove
- 5 Degree inclination of anterior femoral flange

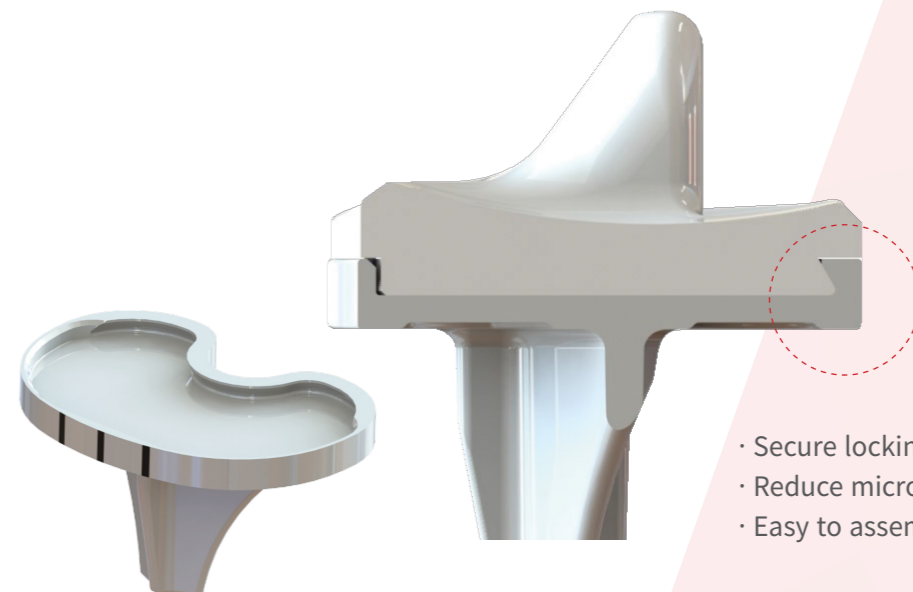
## Advanced Keel Design



### 4 wing Keel

- Enhance rotational stability
- Minimize bone loss
- Maximize contact surface

## Full peripheral & Dove tail Locking



- Secure locking of tibial tray and insert
- Reduce micro motion
- Easy to assemble in any direction.

## 용 도 설 명 서

<p>품 명</p>	<ul style="list-style-type: none"> <li>- 영문 : CentLoc Total Knee System</li> <li>- 국문 : 센트락 인공무릎관절</li> </ul>
<p>구 성 품</p>	<ul style="list-style-type: none"> <li>- Femoral Component (대퇴골 원위부 치환물)</li> <li>- Tibial Tray (경골 근위부 치환물)</li> <li>- Tibial Insert (경골 인서트)</li> <li>- Patella (슬개골 치환물)</li> </ul>
<p>보험 여부</p>	<p>급여 고시 (E2001025/E2011025/E2021025/E2031025)</p>
<p>제조원 / 판매사</p>	<p>(주)루트락 (한국)</p>
<p>용 도 및 특 징</p>	<p><b>1. 용도</b></p> <p>무릎관절의 손상이 심하여 통증 조절 및 정상 기능이 어려운 경우, 무릎 관절면을 치환하여 본래의 관절 기능을 회복시켜 주기 위하여 사용</p> <p><b>2. 특징</b></p> <ul style="list-style-type: none"> <li>- <b>All Size Femoral &amp; Tibial Interchangeability</b></li> <li>- <b>Specialized Box Design</b> ; Round anterior box shape to reduce bone loss, Optimal box ratio to reduce Patellar Clunk / Crepitus</li> <li>- <b>Specialized Box Instrument</b> ; Create accurate space with special Reamers</li> <li>- <b>Optimum Performance to Maximize Flexion</b> ; 150° ROM</li> <li>- <b>Optimized Patellofemoral Design</b> ; Deepened trochlear groove and 5 degree inclination of anterior femoral flange</li> <li>- <b>4 wing Keel Design</b> to enhance rotational stability and to minimize bone loss</li> <li>- <b>Full peripheral &amp; Dove tail Locking</b> ; Secure locking Tibial tray and Insert</li> </ul>